

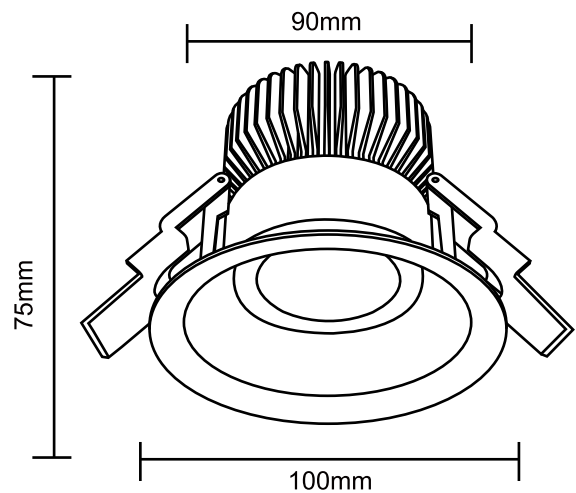
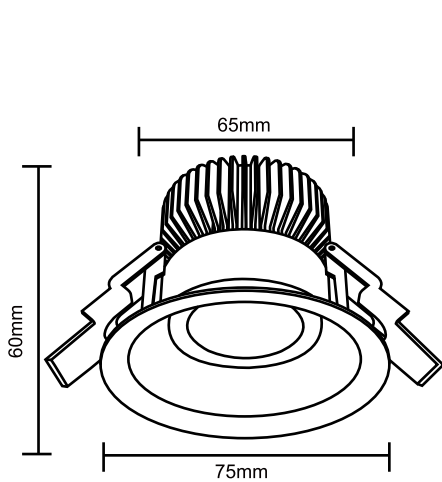


A-UNIQUE

# ASIA UNIQUE LED LIGHTING CO., LTD

## Low Glare COB LED Downlight

### AU68-DL Series





## General Features:

- High-quality Aluminum heat sink, better for heat dissipation
- Distinctive deep recessed, low glare design
- 2700K- 6500K CCT options are available if required
- Flicker Free and triac dimming remote led driver
- CE, Rohs, SAA & C-tick approve
- 3 Years warranty

## Technical Specifications

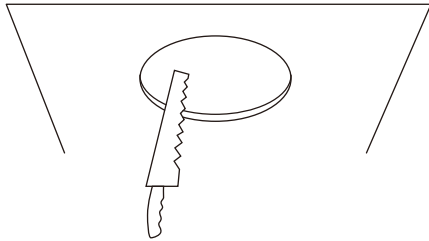
Model No.	AU68-DL10W		AU68-DL12W	
Dimension(mm)	Ø75*H60		Ø100*H75	
Cutout(mm)	65		90	
Wattage(w)	10W		12W	
Input Voltage(v)	AC220~240V			
Light Source	COB			
SDCM	<6			
CCT(K)	1 CCT	2700K/3000K/4000K/5000K//6000K/6500K		
	3 CCT	2700K-4000K-6500K or 3000K-4000K-6000K		
Luminous Flux (lm)±5%	500-550lm		650-750lm	
CRI	>80Ra (90Ra and 97Ra by request)			
Beam Angle(°)	30°			
Dimming option	Yes, Triac Dimming, Flicker Free			
Protection Class	Class II			
Degree of protection(IP)	IP20			
Material	Trim	Aluminum		
	Heat-sink	Aluminum		
	Lens	PC		
L70	>54000Hrs			
Operation Temp.(°C)	-20~ 45°C			
Installation	Recessed Mount			
Certificates	CE, Rohs, SAA & C-tick			
Warranty	3 Years			

## Packing information

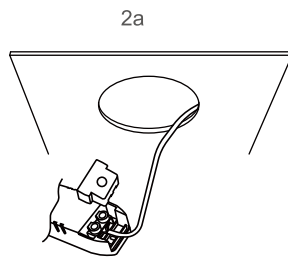
Model Number	Weight/Luminaire (kg)	QTY/BOX (pcs)	Inner Box Size (mm)	Weight/Box (kg)	QTY/CTN (pcs)	Carton Size (cm)	Weight/CTN (kg)	QTY/20GP (PCS)	QTY/40GP (PCS)	QTY/40HQ (PCS)
AU68-DL10W	0.21	1	115*115*75	0.22	48	50*37*33	11	57647	39312	43560
AU68-DL12W	0.385	1	115*115*90	0.52	16	41*38*42	9	18548	39312	43560

# Installation Instructions

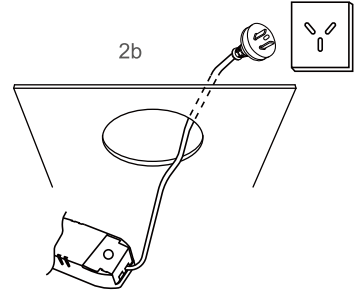
1. Open a hole according to the cutout size of led downlight.



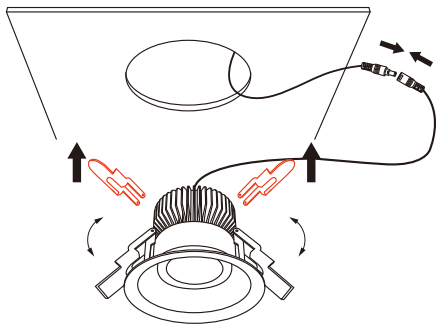
2a. Use a screwdriver to open the driver terminal cover, feed the main AC wire L, N, in terminal block respectively, then fix the cover back.



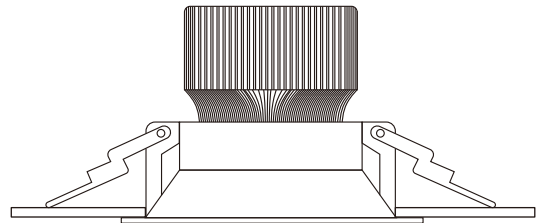
2b. Simply and easily connect through a plug for quick power on



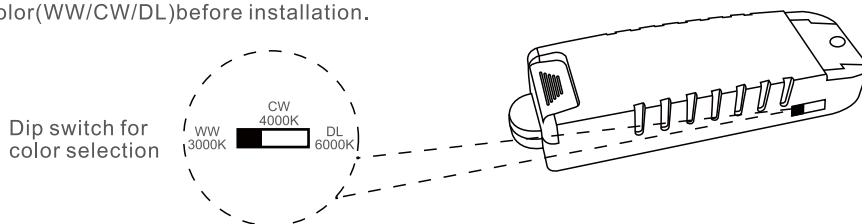
3. Connect the downlight with driver, hold back the spring clip then push the downlight into the hole.



4. Make sure the downlight fixed tightly in ceiling, turn on the power.



\* For the product with 3-color Selection, please select the light color(WW/CW/DL)before installation.



## Please Note:

- \* Turn off and isolate the electrical supply before connecting this fitting to the building wires.
- \* Must be installed, or connected by licenced electrician.
- \* The Luminaires are intended for indoor use only.

## Applications:

- Hospitality applications
- Residential applications
- Office Buildings
- Hotels
- Shopping Malls
- Supermarkets