

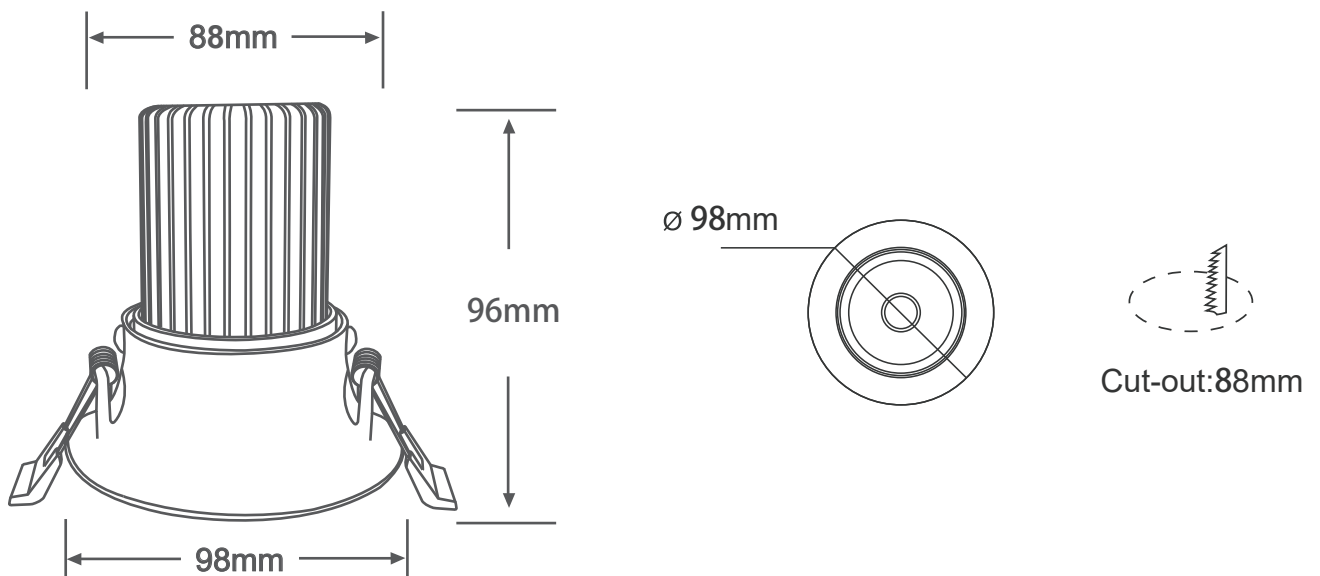


A-UNIQUE

ASIA UNIQUE LED LIGHTING CO., LTD

LED Downlight

AU03-DL
Series





General Features:

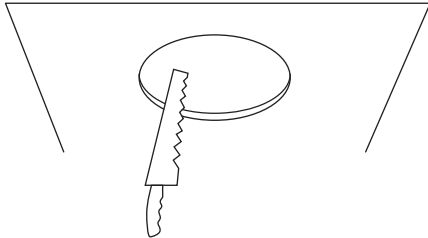
- Deep recessed fitting, distinctive design
- Low Glare downlight with superb soft light
- Tilttable fitting, can adjust lighting angle
- 90Ra led chip is available if required
- 3-CCT in one is available if required
- Flicker free dimming driver available if required
- IP44 rated for the front, ideal for corridors, bathrooms, dining rooms and bedroom, etc.
- LM80 / IES report available
- SAA, C-tick, CE and RoHS approved
- 3 years warranty

Technical Specifications

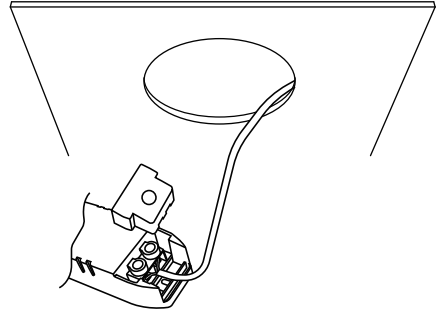
Model No.	AU03-DL10W-HRF		AU03-DL13W-HRF	
Dimension(mm)	Ø 98*96mm		φ98*96mm	
Cutout(mm)	88		88	
Wattage(w)	10W		13W	
Input Voltage(v)	AC200~240V			
Light Source	COB			
SDCM	<6			
CCT(K)	1 CCT	2700K/3000K/4000K/5000K//6000K/6500K		
	3 CCT	2700K-4000K-6500K or 3000K-4000K-6000K		
Luminous Flux (lm)±5%	750		975	
CRI	>80Ra or >90Ra			
Beam Angle(°)	24/38/45/60°			
Dimming option	Yes			
Protection Class	Class II			
Degree of protection(IP)	IP20			
Material	Trim	Aluminum		
	Heat-sink	Aluminum		
Trim Colour	White/Black			
L70	>54000Hrs			
Operation Temp.(°C)	-20~ 45°C			
Installation	Recessed			
Certificates	CE, RoHS, SAA & C-tick			
Warranty	3 Years			

Installation Instructions

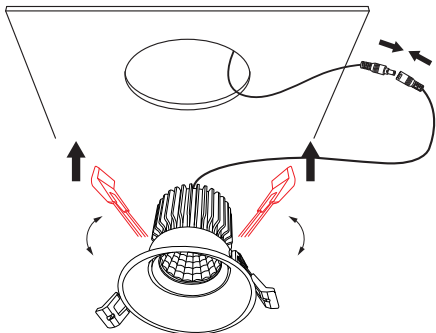
1. Open a hole according to the cutout size of led downlight.



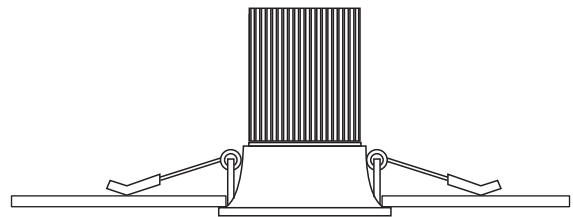
2. Use screw-driver to open the driver terminal cover, feed the main AC wire L. N. in terminal bock respectively, then fix the cover back.



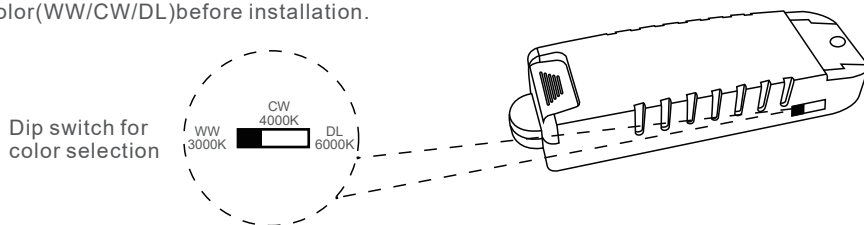
3. Connect the downlight with driver, hold back the spring clip then push the downlight into the hole.



4. Make sure the downlight is fixed tightly in ceiling, turn on the power.



* For the product with 3-color Selection, please select the light color(WW/CW/DL)before installation.



Please Note:

- * Turn off and isolate the electrical supply before connecting this fitting to the building wires.
- * Must be installed, or connected by licenced electrician.
- * The Luminaires are intended for indoor use only.

Applications:

- Hospitality applications
- Residential applications
- Office Buildings
- Hotels
- Shopping Malls
- Supermarkets