

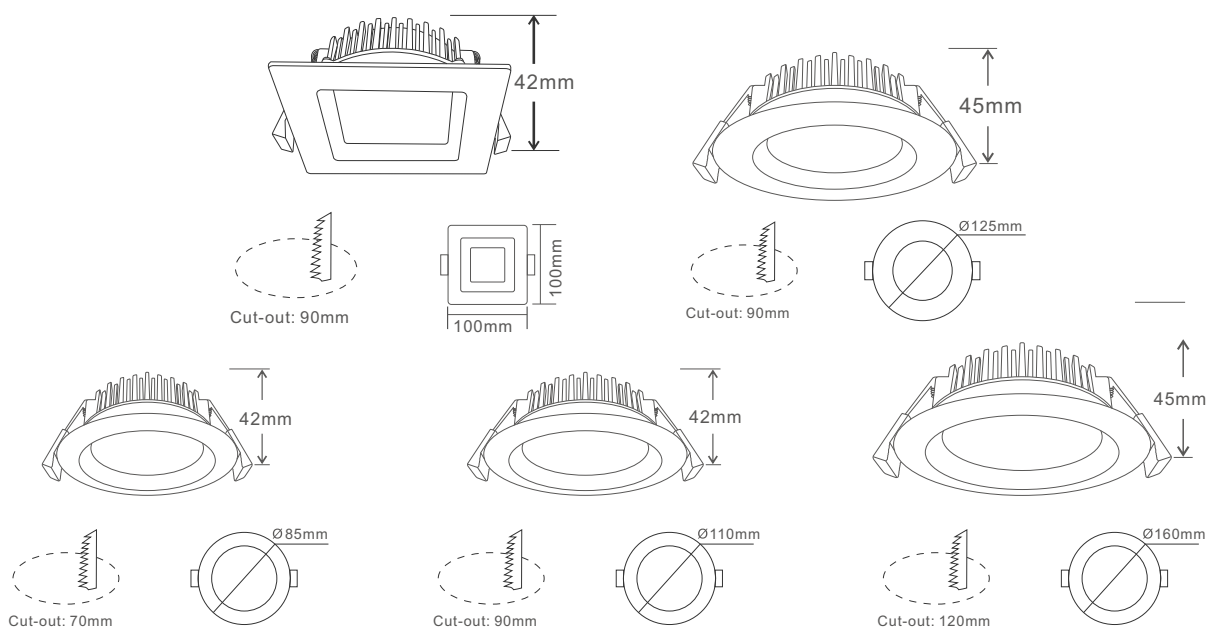
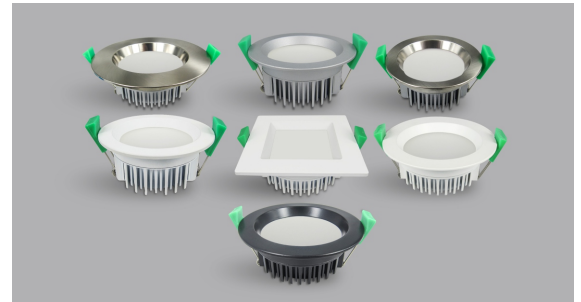


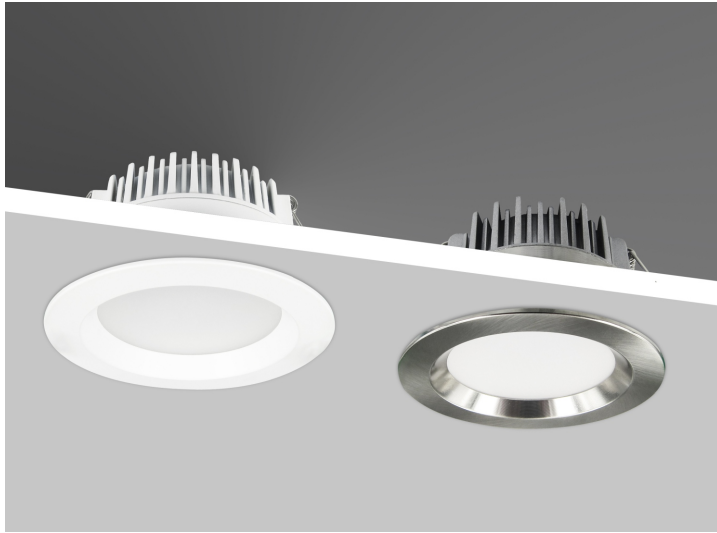
A-UNIQUE

# ASIA UNIQUE LED LIGHTING CO., LTD

## Tuya Smart LED Downlight

Tuya Smart Series





## General Features:

- Mobile phone remote controlled through Tuya APP
- Wireless network 2.4 GHz WiFi
- After installing the TUYA smart application on your smartphone and connecting to the product, you can control them using our home WiFi / Bluetooth
- Through the TUYA App, we can control CCT, Dimming, ON & OFF, Timing
- Control your smart lights anytime and anywhere
- One or multiple lights can be controlled in group
- Multiple scenarios to meet your daily needs.
- Smart voice control: Support Alexa , Google Home, SmartThings etc

## Technical Specifications

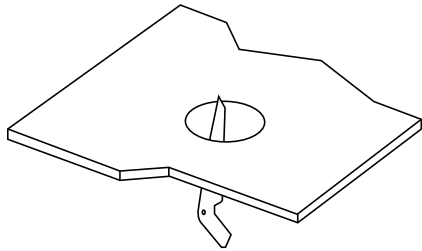
Model No.	AU09-DL7W-TY	AU09-DL10W-TY	AU09-DL15W-TY	AU09-DL18W-TY	AU12-DL10W-TY	AU12-DL12W-TY	AU12-DL12W-TY	AU12-DL12W-TY
Dimension(mm)	Ø85*H42	Ø85*H42	Ø160*H45	Ø160*H45	Ø110*H42	Ø110*H42	Ø125*H45	100*100*H42
Cutout(mm)	70	70	120	120	90	90	90	90
Wattage(w)	7W	10W	15W	18W	10W	12W	12W	12W
Input Voltage(v)	AC220~240V							
Light Source	SMD2835							
SDCM	<6							
CCT(K) 3 CCT	2700K-4000K-6500K or 3000K-4000K-6000K							
Luminous Flux (lm)±5%	520-560	740-800	1100-1200	1300-1400	740-800	880-960	880-960	880-960
CRI	>80Ra or >90Ra							
Beam Angle(°)	90°							
Dimming option	Dimmable 1%-100%, Flicker Free							
Fire Rated	Available, if required							
Protection Class	Class III							
Degree of protection(IP)	IP44							
Material	Trim	Aluminum						
	Heat-sink	Aluminum						
	Diffuser	PMMA						
Color	White / Black / Silver / Brushed Chrome							
L70	>54000Hrs							
Operation Temp.(°C)	-20~ 45°C							
Installation	recessed							
Certificates	CE, Rohs, SAA & C-tick							
Warranty	3 Years							

## Packing information

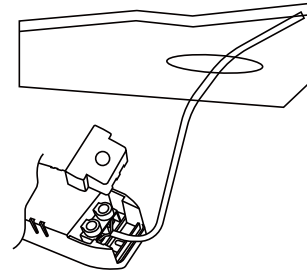
Model Number	Weight/Luminaire (kg)	QTY/BOX (pcs)	Inner Box Size (mm)	Weight/Box (kg)	QTY/CTN (pcs)	Carton Size (cm)	Weight/CTN (kg)	QTY/20GP (PCS)	QTY/40GP (PCS)	QTY/40HQ (PCS)
AU09-DL7W-TY	0.3	1	115*115*105	0.3	36	48*36*33	11	19152	39312	43560
AU09-DL10W-TY	0.3	1	115*115*105	0.3	36	48*36*33	11	19152	39312	43560
AU09-DL15W-TY	0.85	1	165*165*80	0.85	20	43*34*34	17	11340	23280	26680
AU09-DL18W-TY	0.85	1	165*165*80	0.85	20	43*34*34	17	11340	23280	26680
AU12-DL10W-TY	0.35	1	115*115*105	0.35	36	48*36*33	12.8	19152	39312	43560
AU12-DL12W-TY	0.35	1	115*115*105	0.35	36	48*36*33	12.8	19152	39312	43560
AU12-DL12W-W-TY	0.39	1	130*130*100	0.39	24	42*42*28	9.5	13704	28224	32256
AU12-DL12W-S-TY	0.45	1	115*115*105	0.45	36	48*36*33	16.5	19152	39312	43560

# Installation Instructions

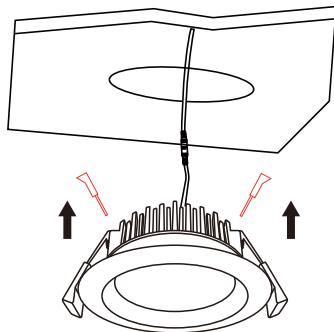
1. Open a hole according to the cutout size of led downlight.



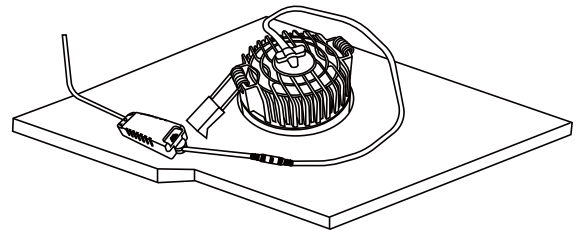
2. Use screw-driver to open the driver terminal cover, feed the main AC wire L. N. in terminal block respectively, then fix the cover back.



3. Connect the downlight with driver, hold back the spring clip then push the downlight into the hole.



4. Make sure the downlight fixed tightly in ceiling, turn on the power.



## Please Note:

- \* Turn off and isolate the electrical supply before connecting this fitting to the building wires.
- \* Must be installed, or connected by licenced electrician.
- \* The Luminaires are intended for indoor use only.

## Applications:

- Hospitality applications
- Residential applications
- Office Buildings
- Hotels
- Shopping Malls
- Supermarkets